


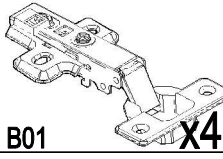





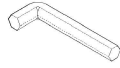


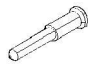
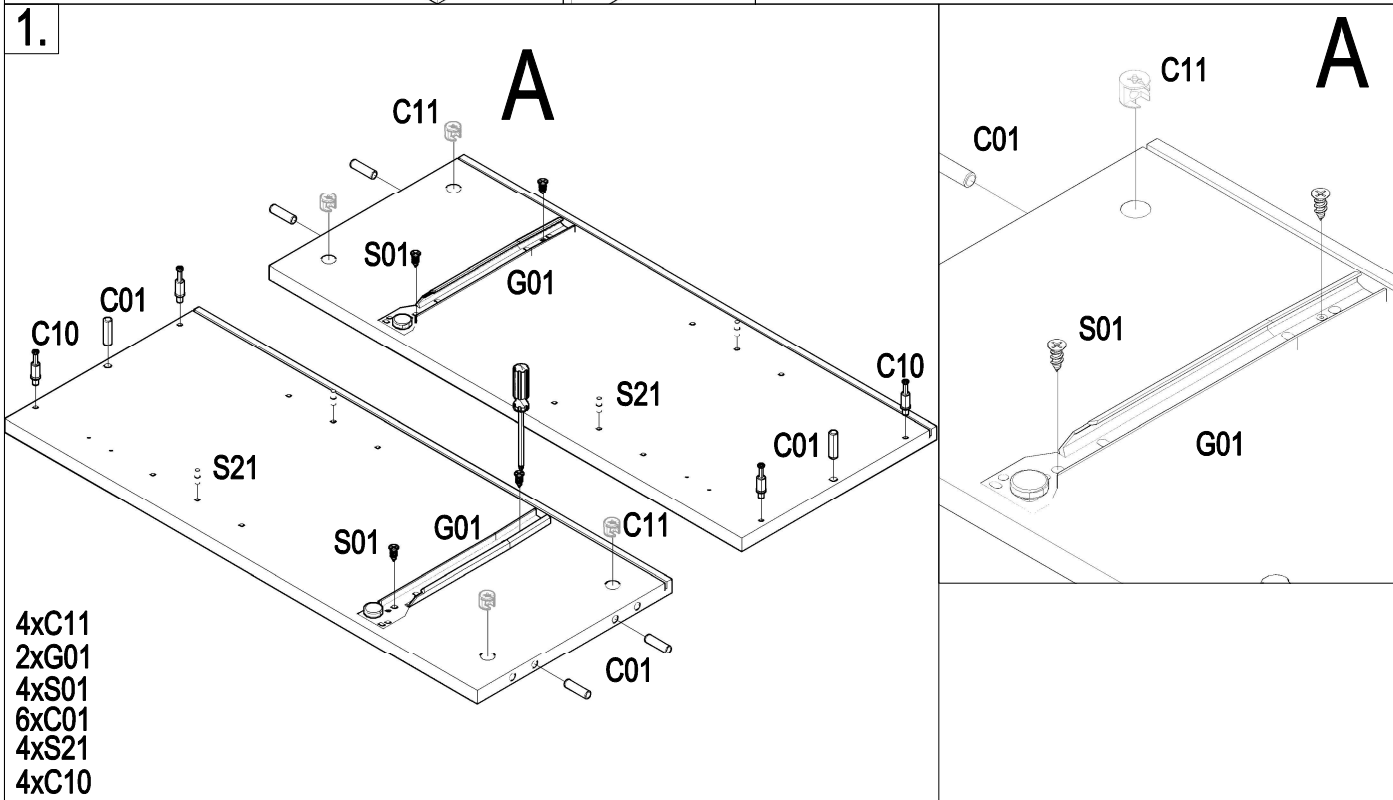
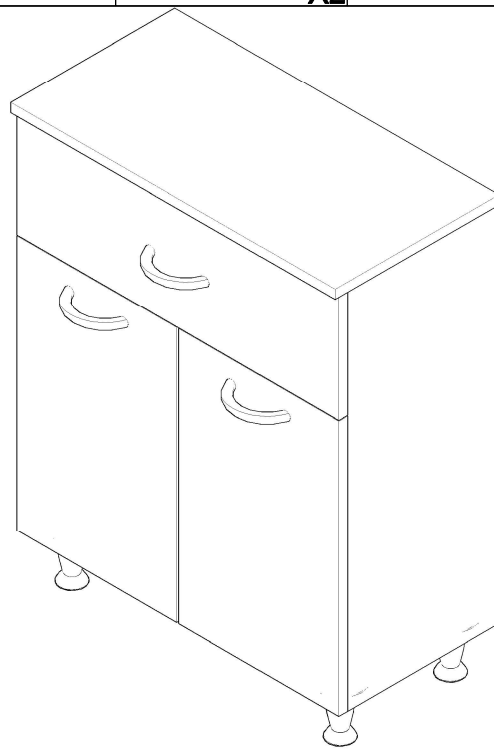
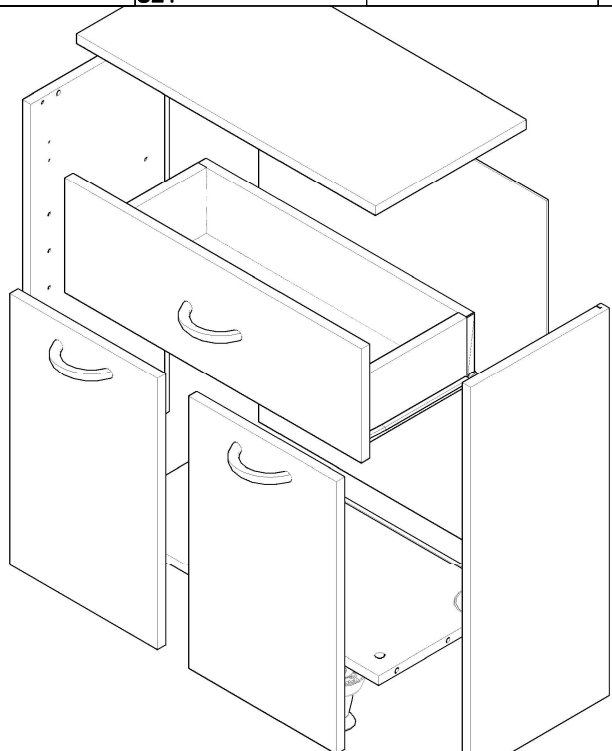
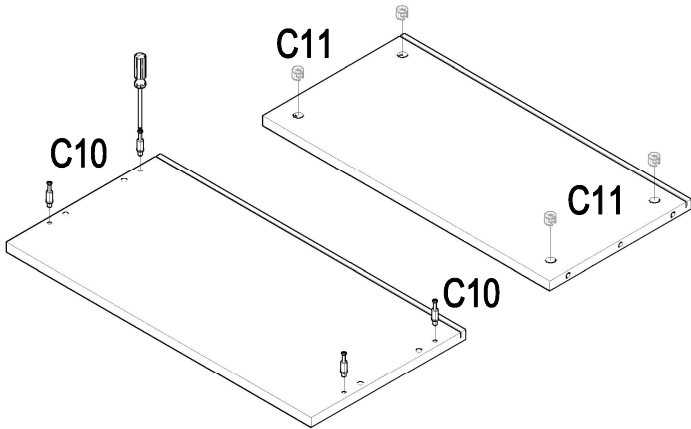


NR.55

<p>3.5x16</p>  <p>S01 x40</p>	 <p>C10 x12</p>	 <p>C11 x12</p>	 <p>B01 x4</p>	 <p>P01 x4</p>	<p>M4X22</p>  <p>S11 x6</p>
 <p>M01 x3</p>	 <p>S21 x6</p>	 <p>C01 x10</p>	 <p>D01 x1</p>	<p>G01</p>  <p>G02</p>  <p>X2</p>	 <p>S02 x2</p>

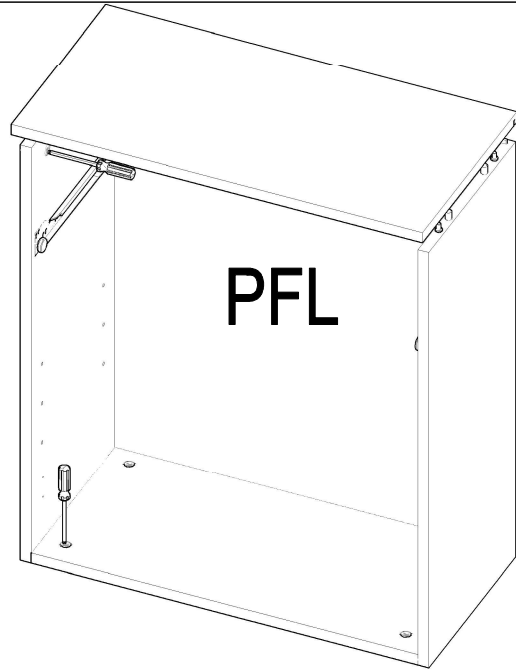


2.

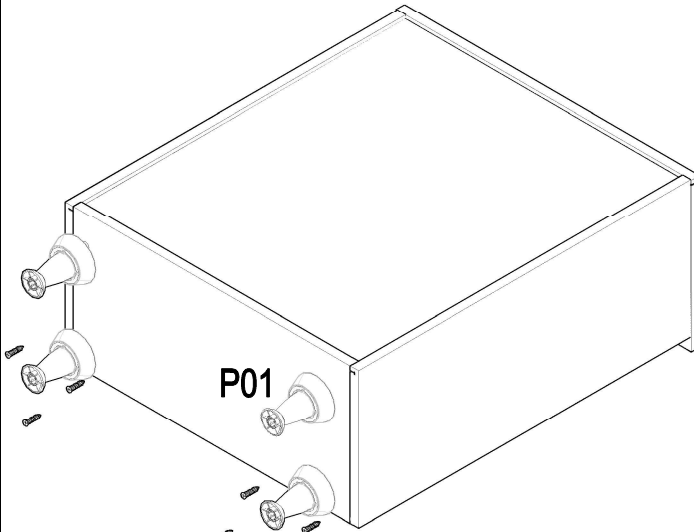


4xC10
4xC11

3.

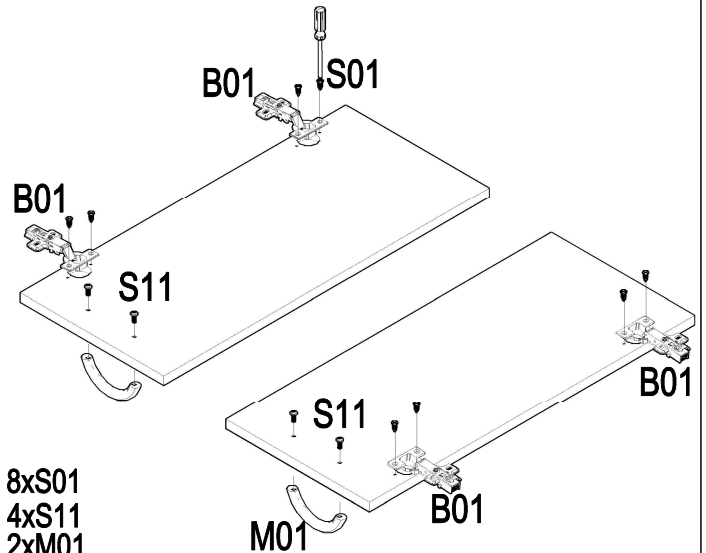


4.



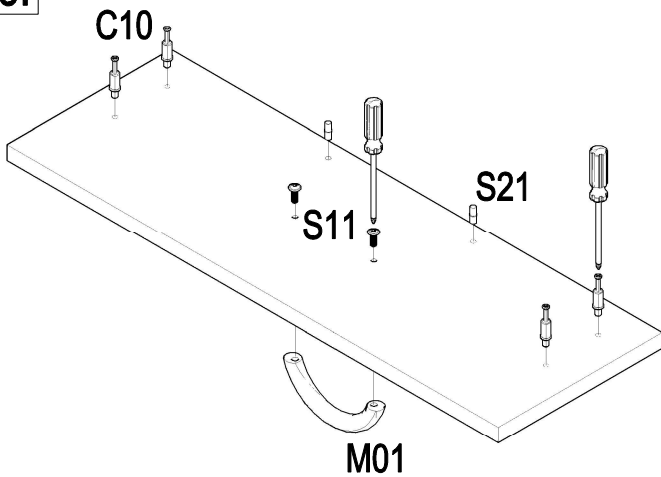
4xP01
16xS01

5.



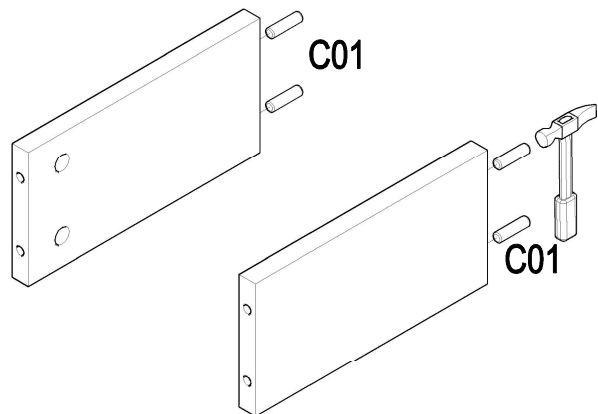
8xS01
4xS11
2xM01
4xB01

6.



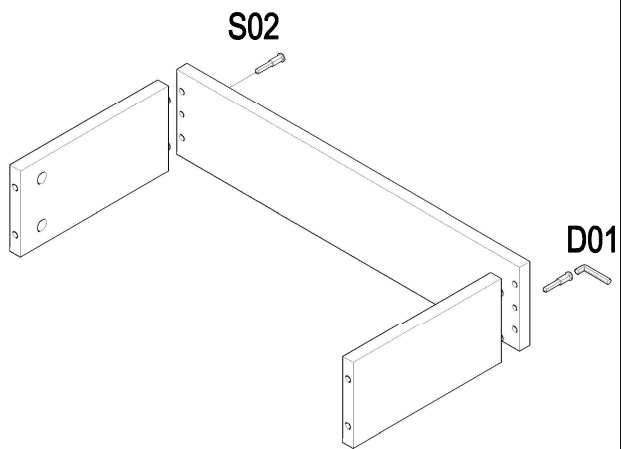
1xM01
2xS11
2xS21
4xC10

7.



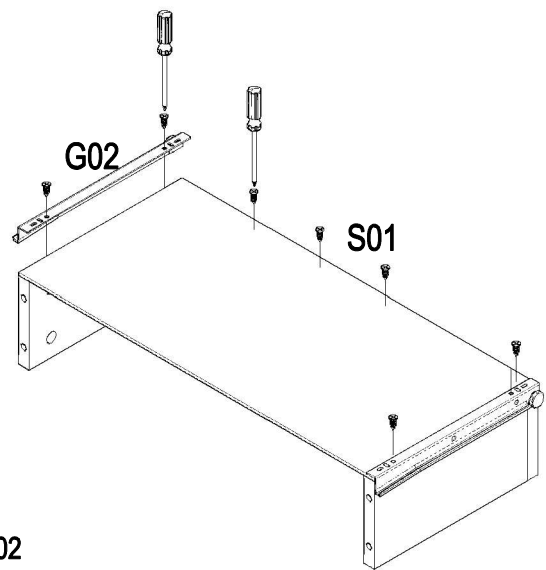
4xC01

8.



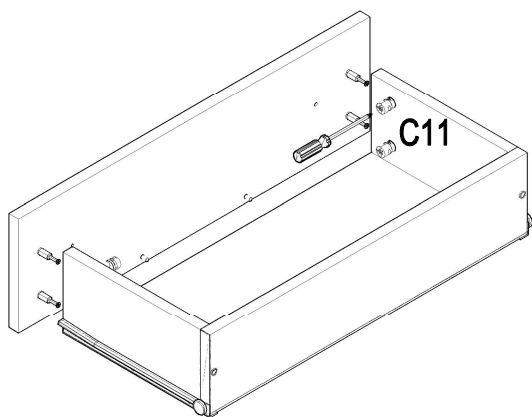
1xD01
2xS02

9.



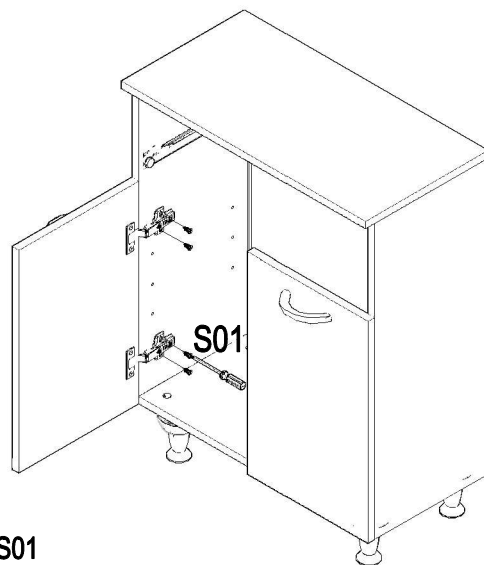
2xG02
7xS01

10.



4xC11

11.



8xS01

12.

